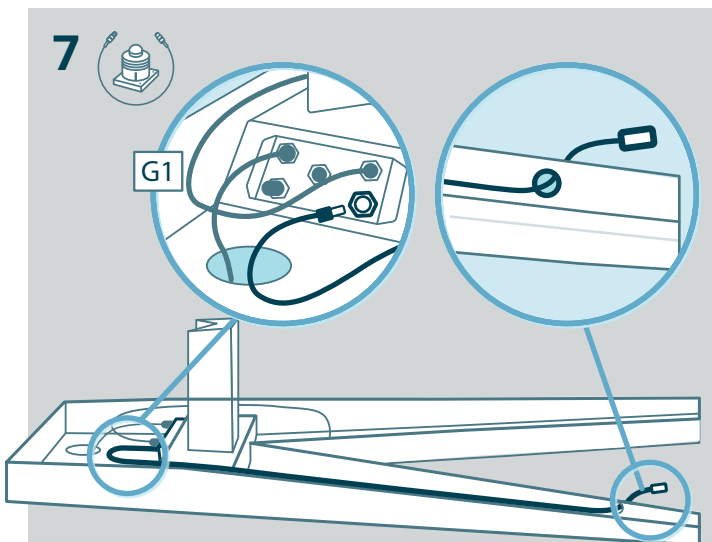
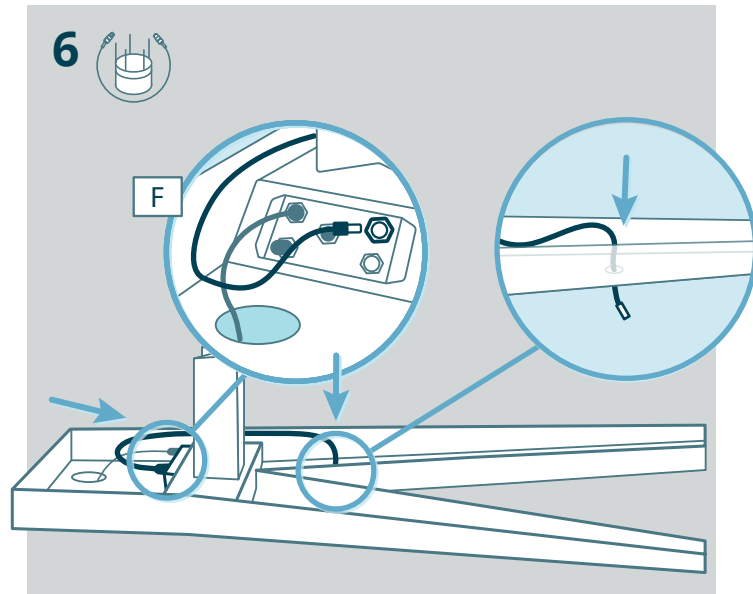
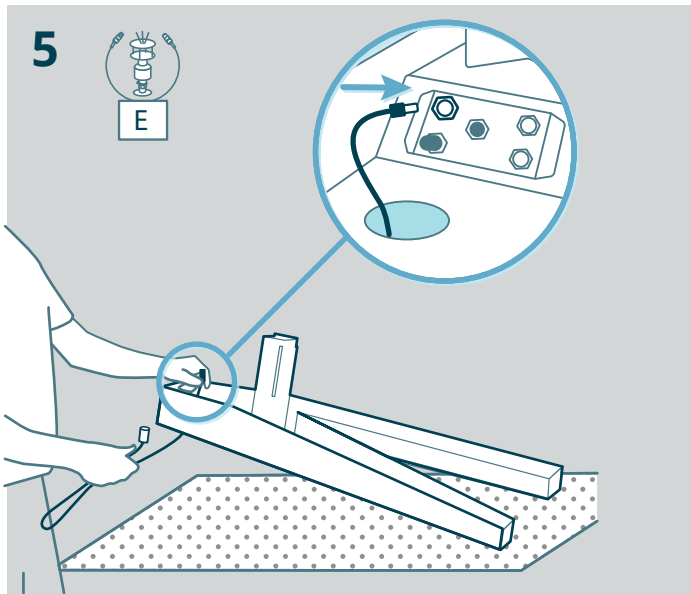
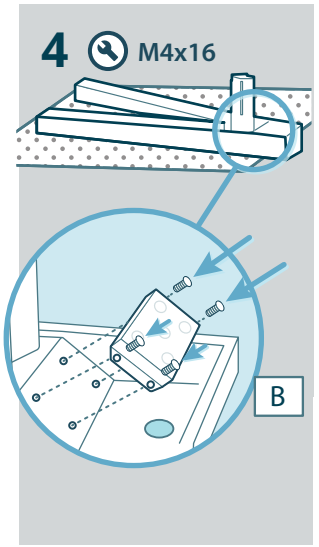
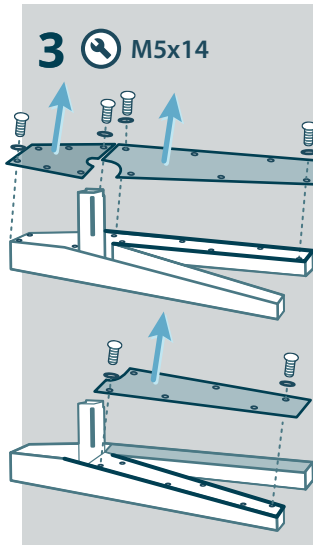
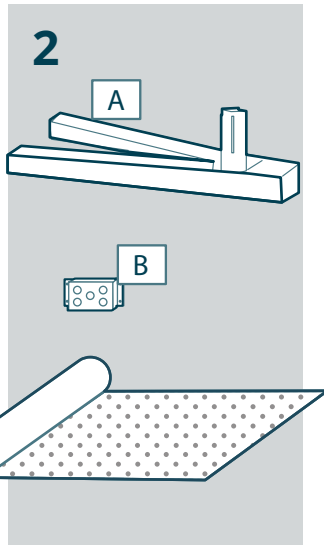
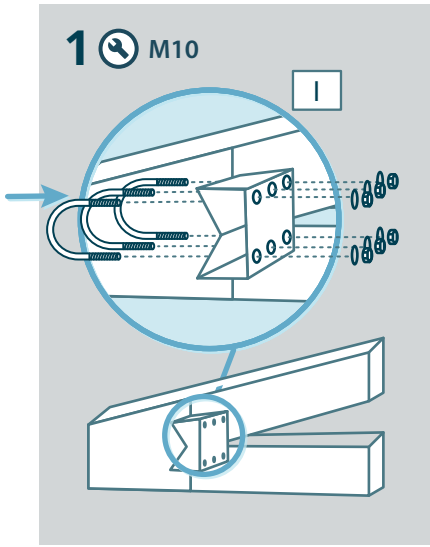
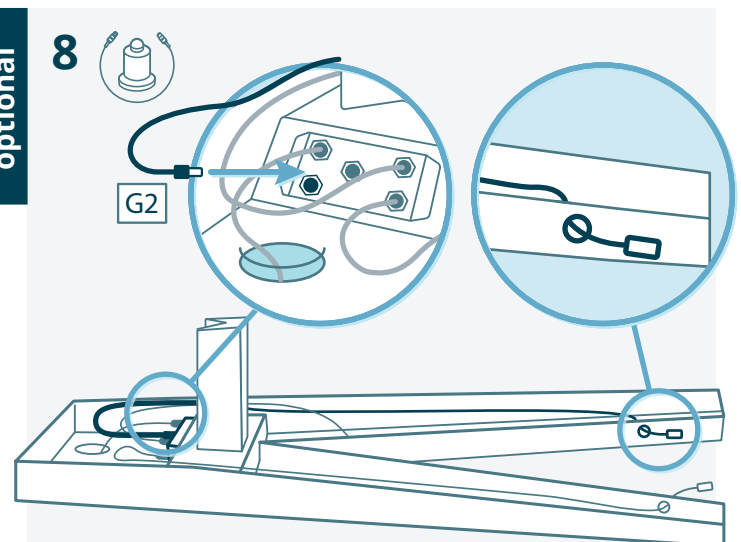


> ASSEMBLE WEATHER STATION

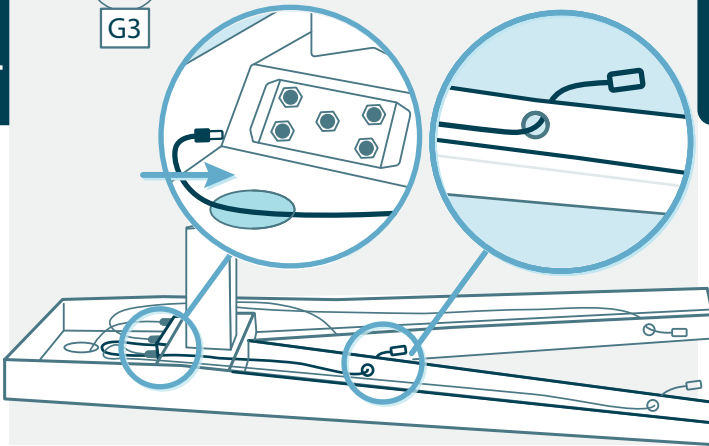


optional



optional

9



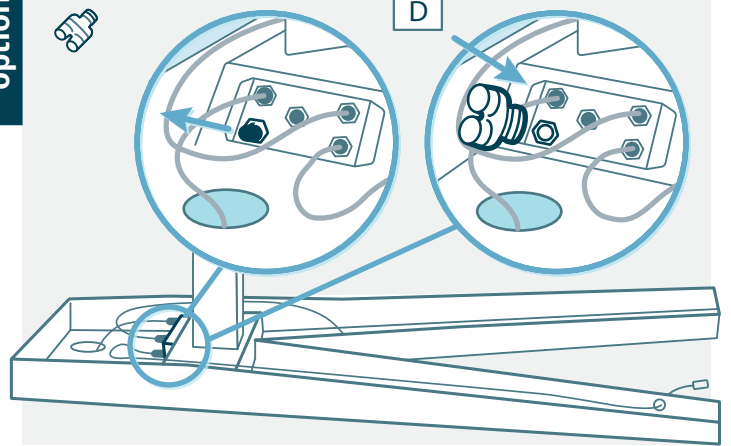
optional

10

i Splitter is only necessary when the 2 optional sensors are used.

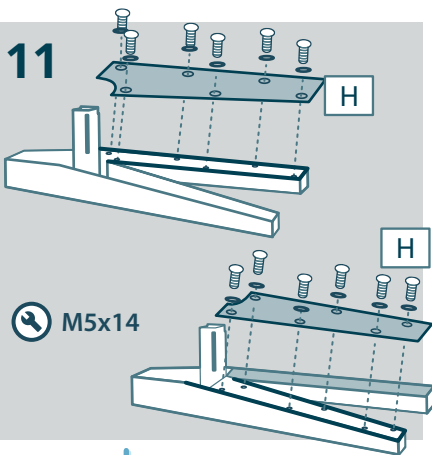


D



11

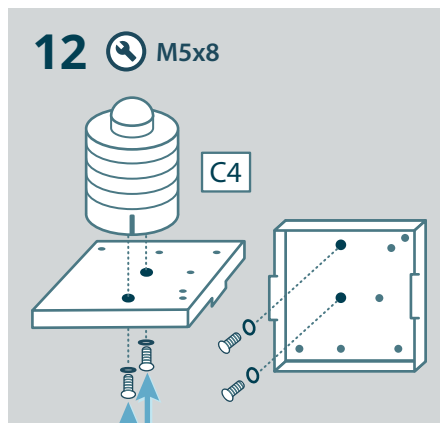
H



12

M5x8

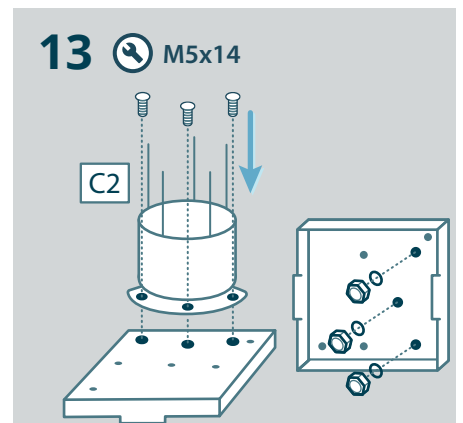
C4



13

M5x14

C2

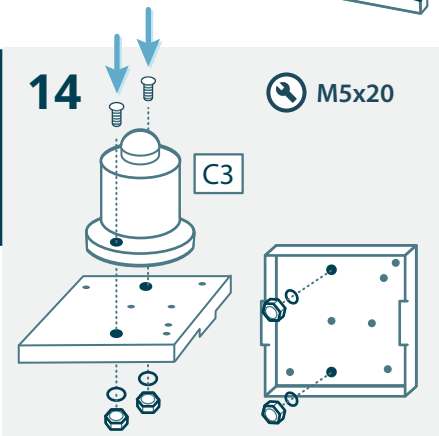


optional

14

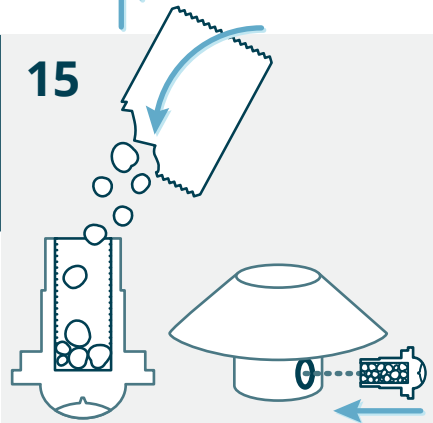
M5x20

C3



optional

15

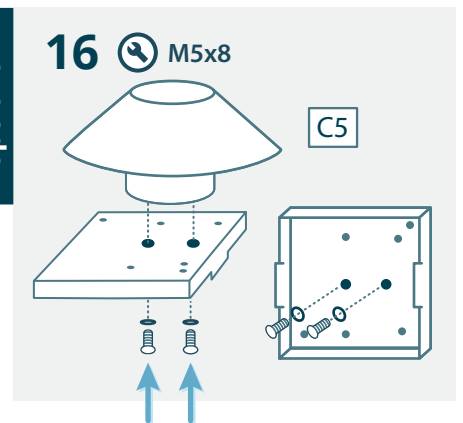


optional

16

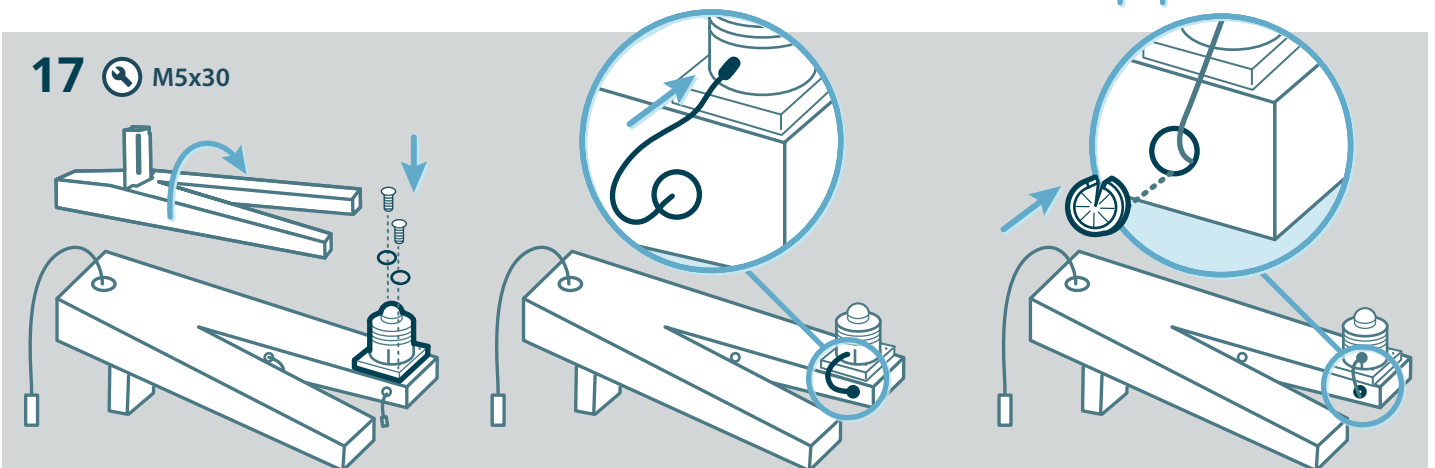
M5x8

C5



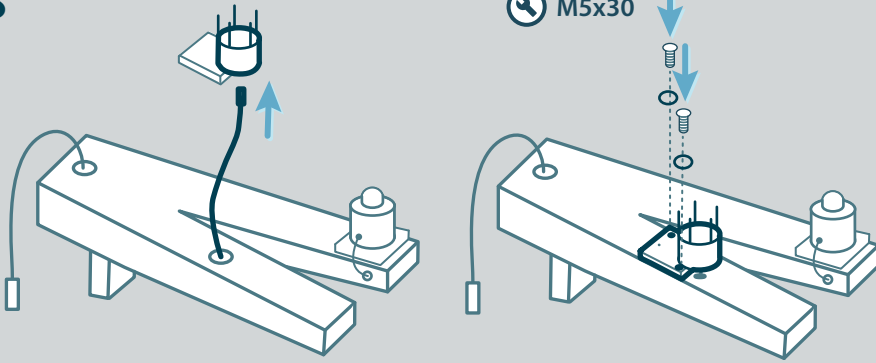
17

M5x30



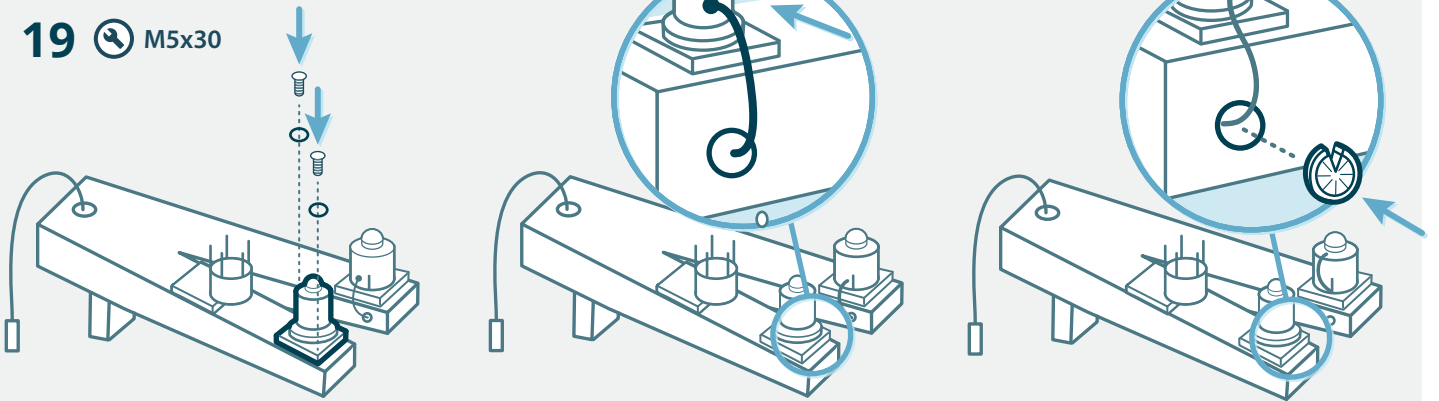
18

M5x30



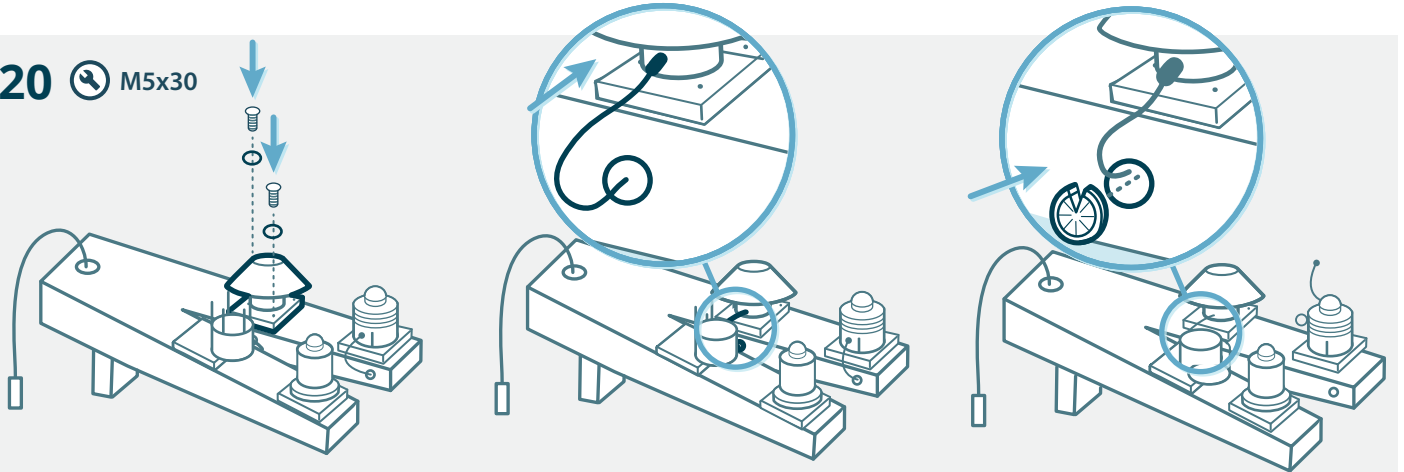
optional

19 M5x30

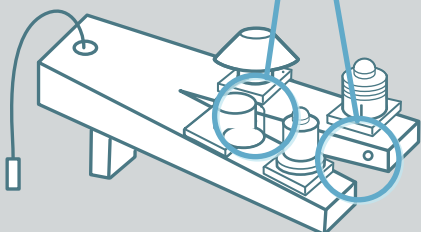


optional

20 M5x30



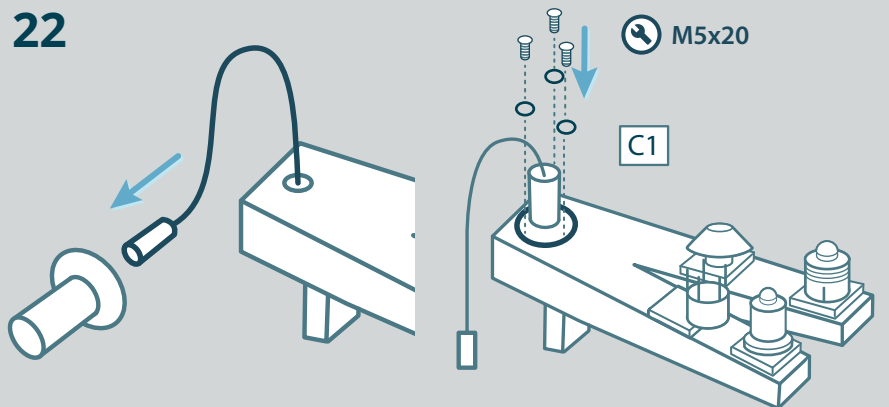
21

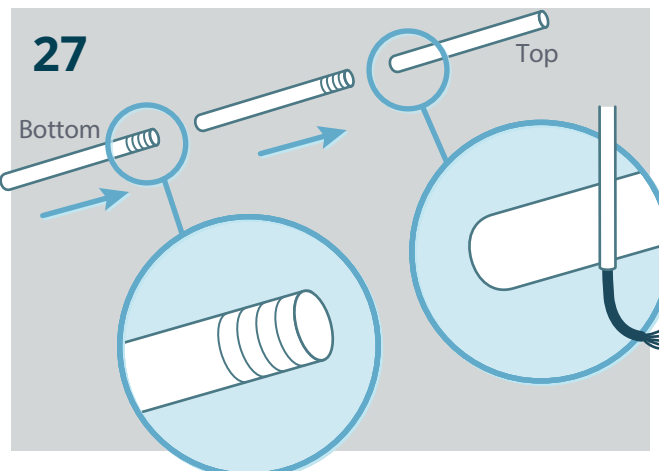
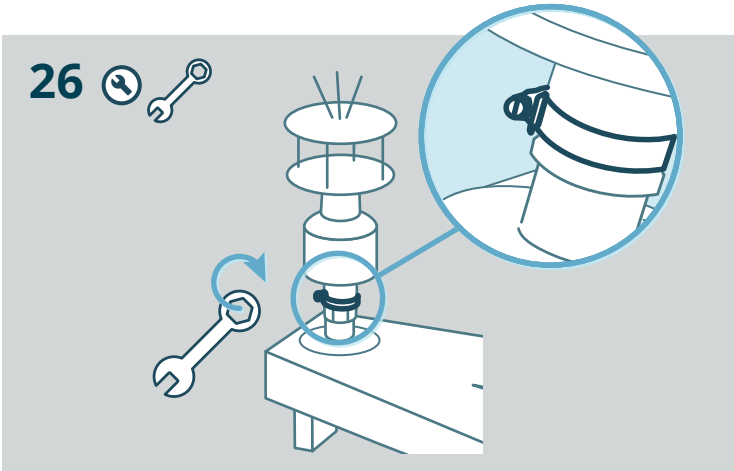
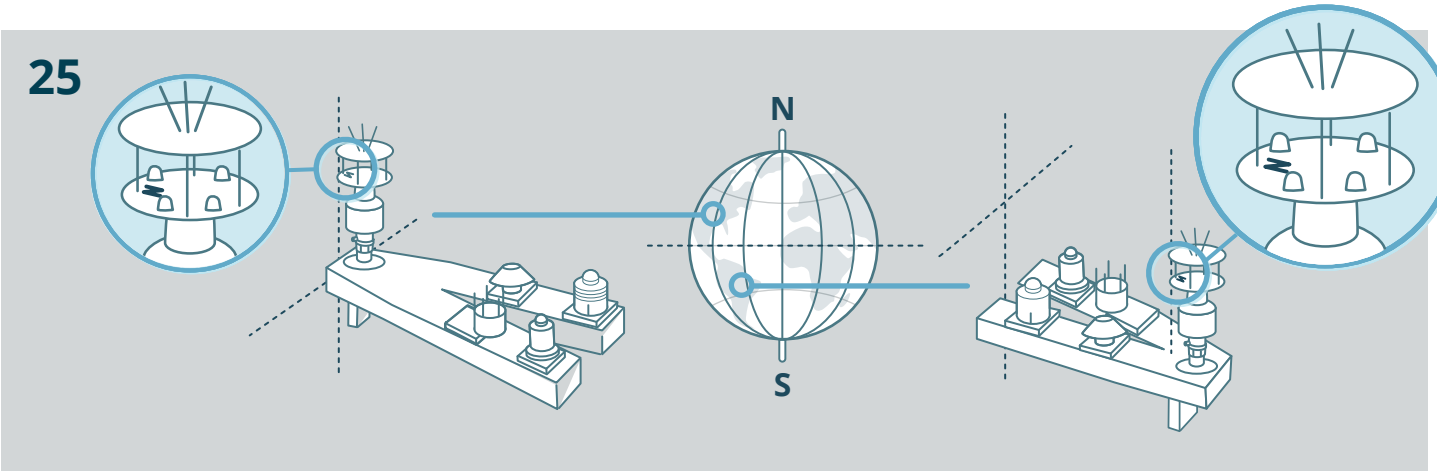
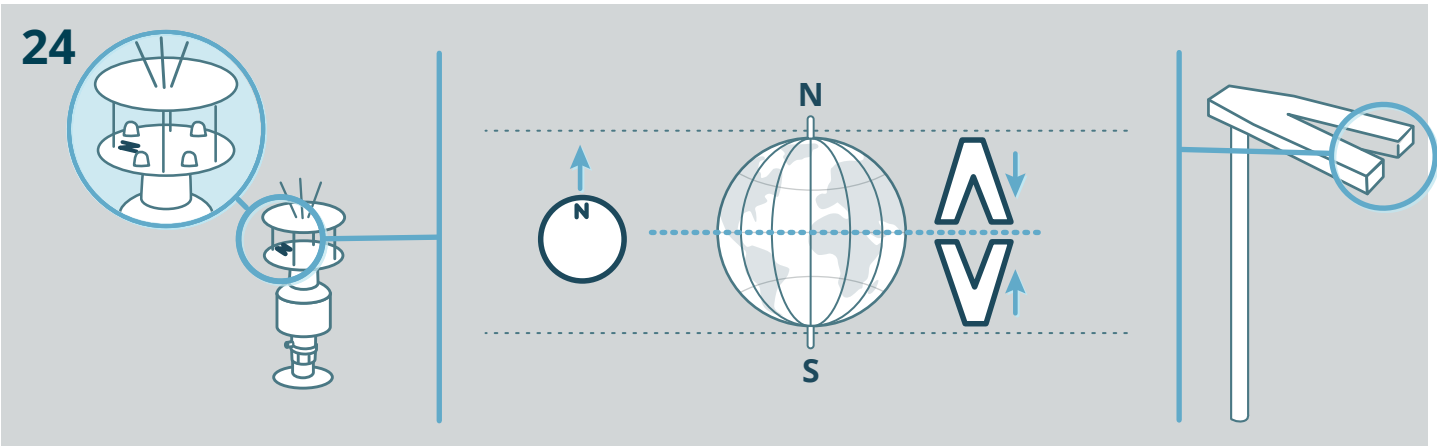
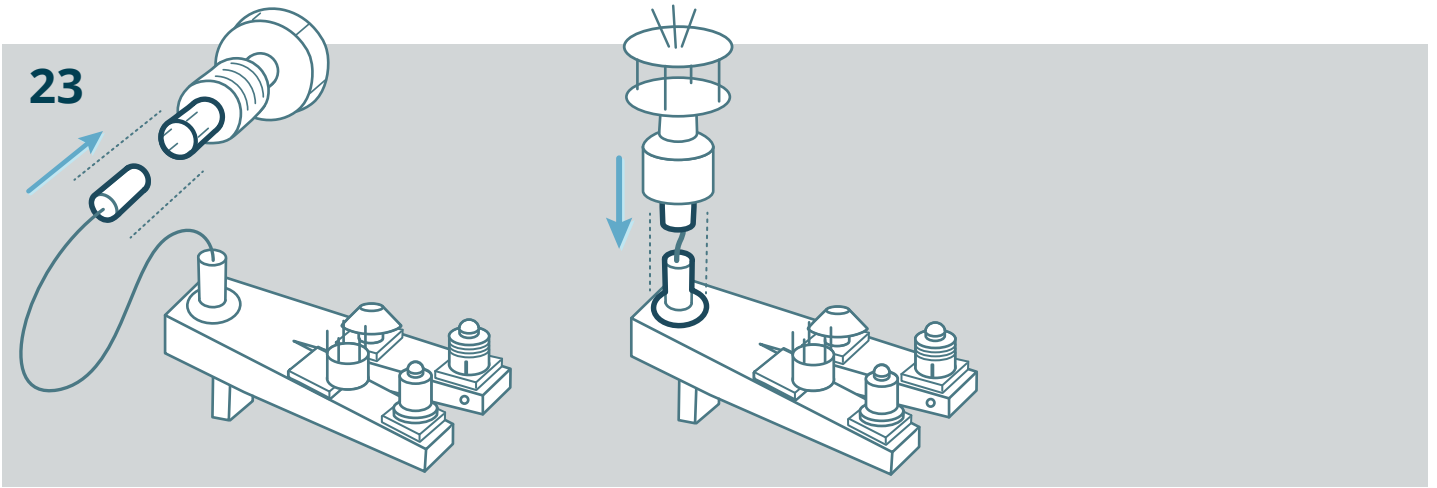


22

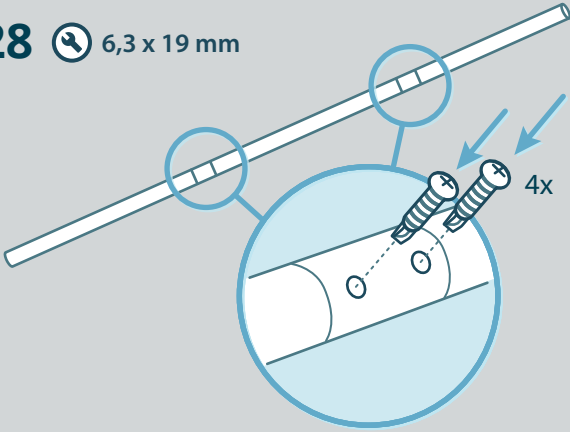
M5x20

C1

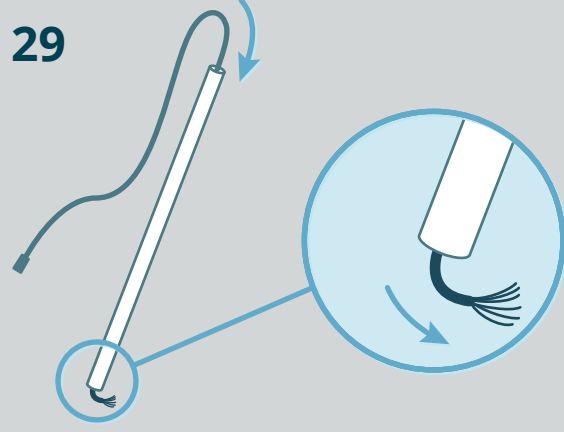




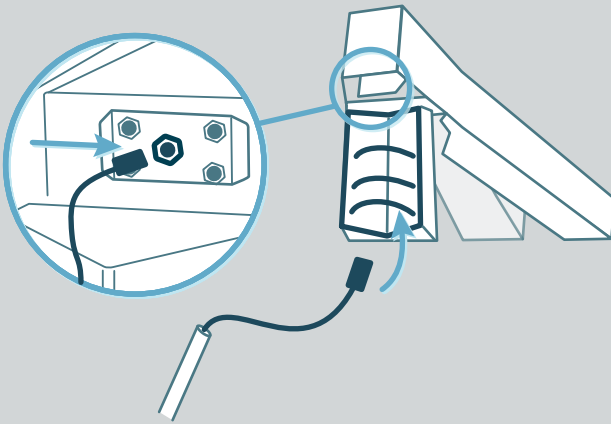
28  6,3 x 19 mm



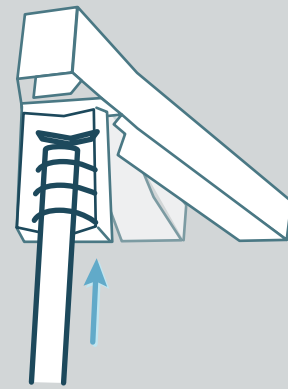
29



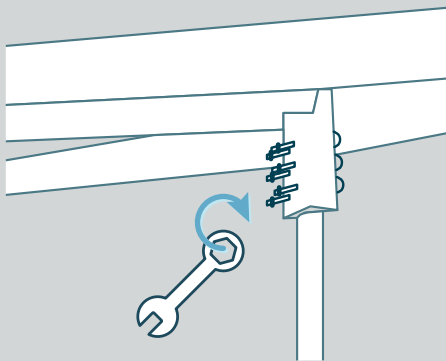
30



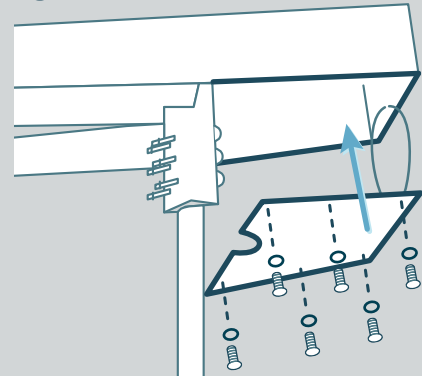
31



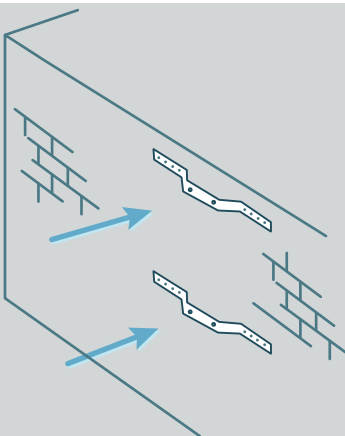
32  



33  M5x14



34



35  M10x30

